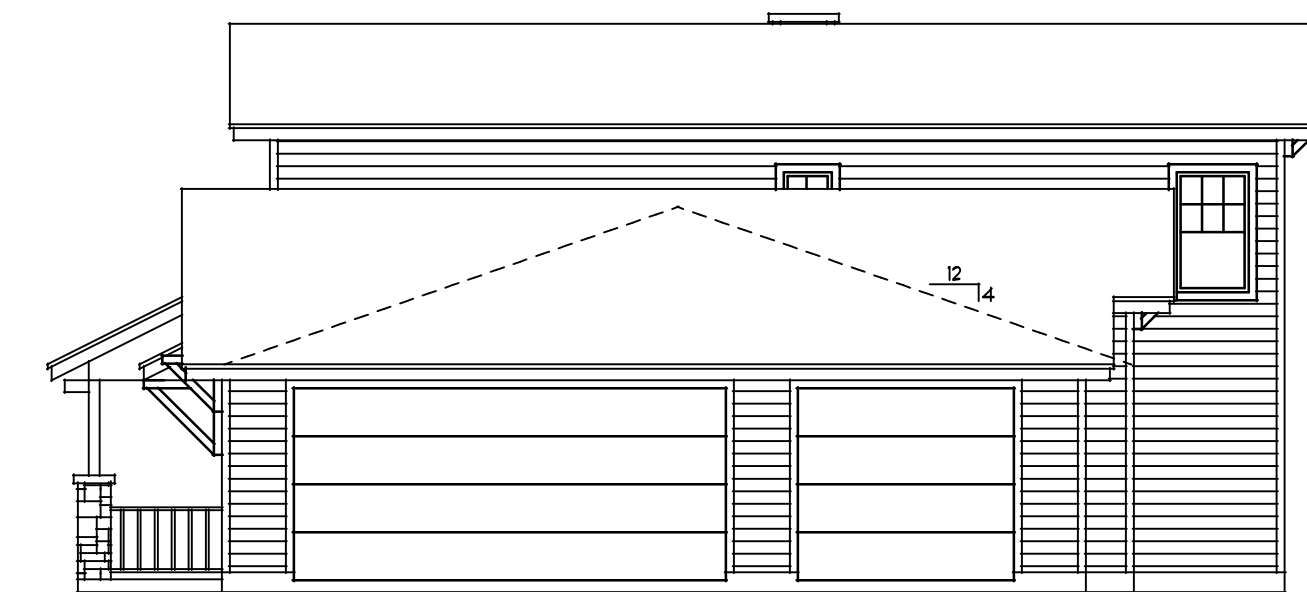
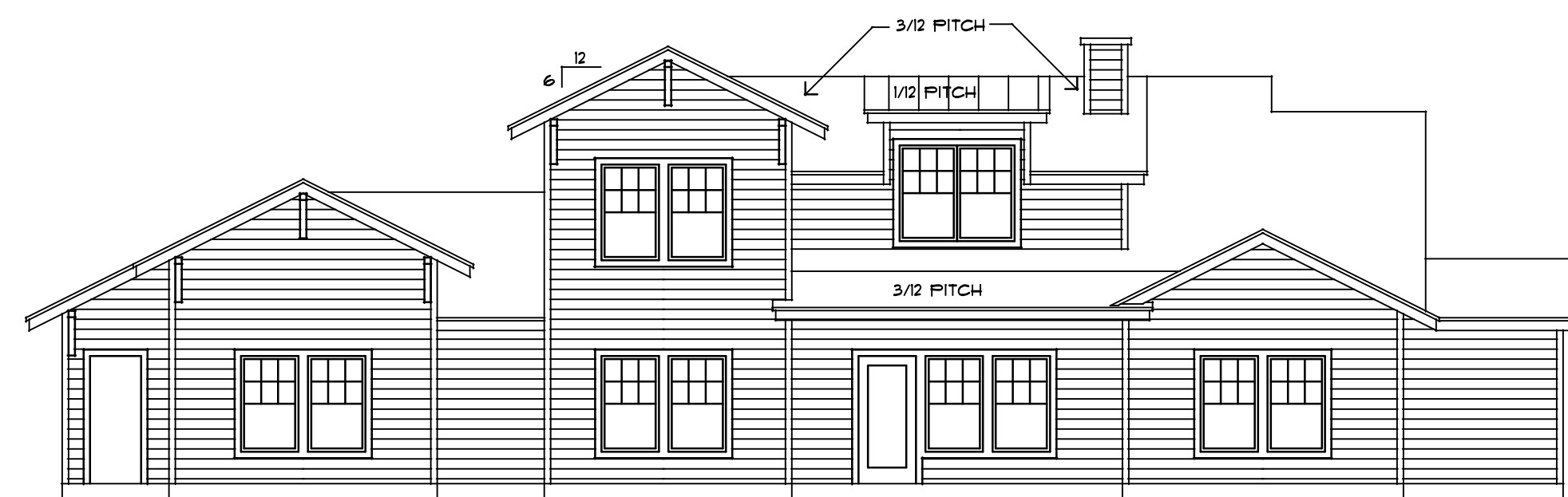


LEFT SIDE ELEVATION SCALE 1/8"=1'-0"



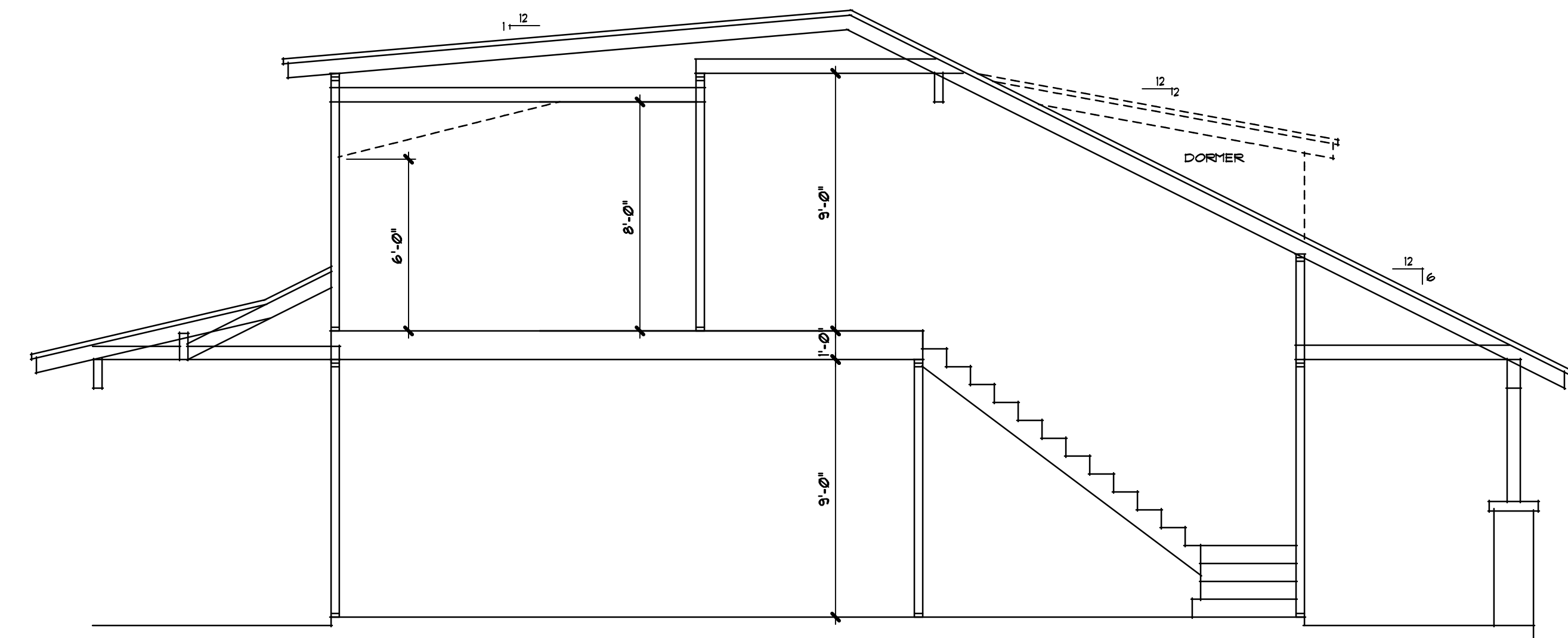
RIGHT SIDE ELEVATION



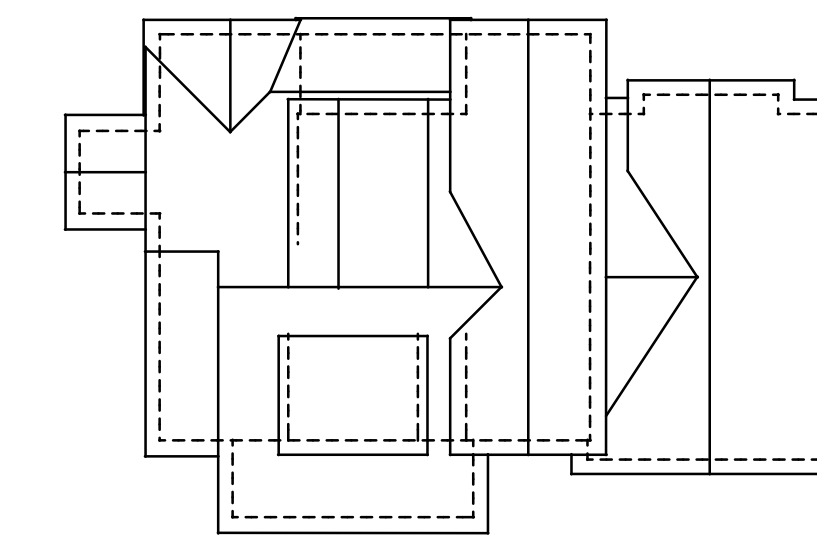
REAR ELEVATION



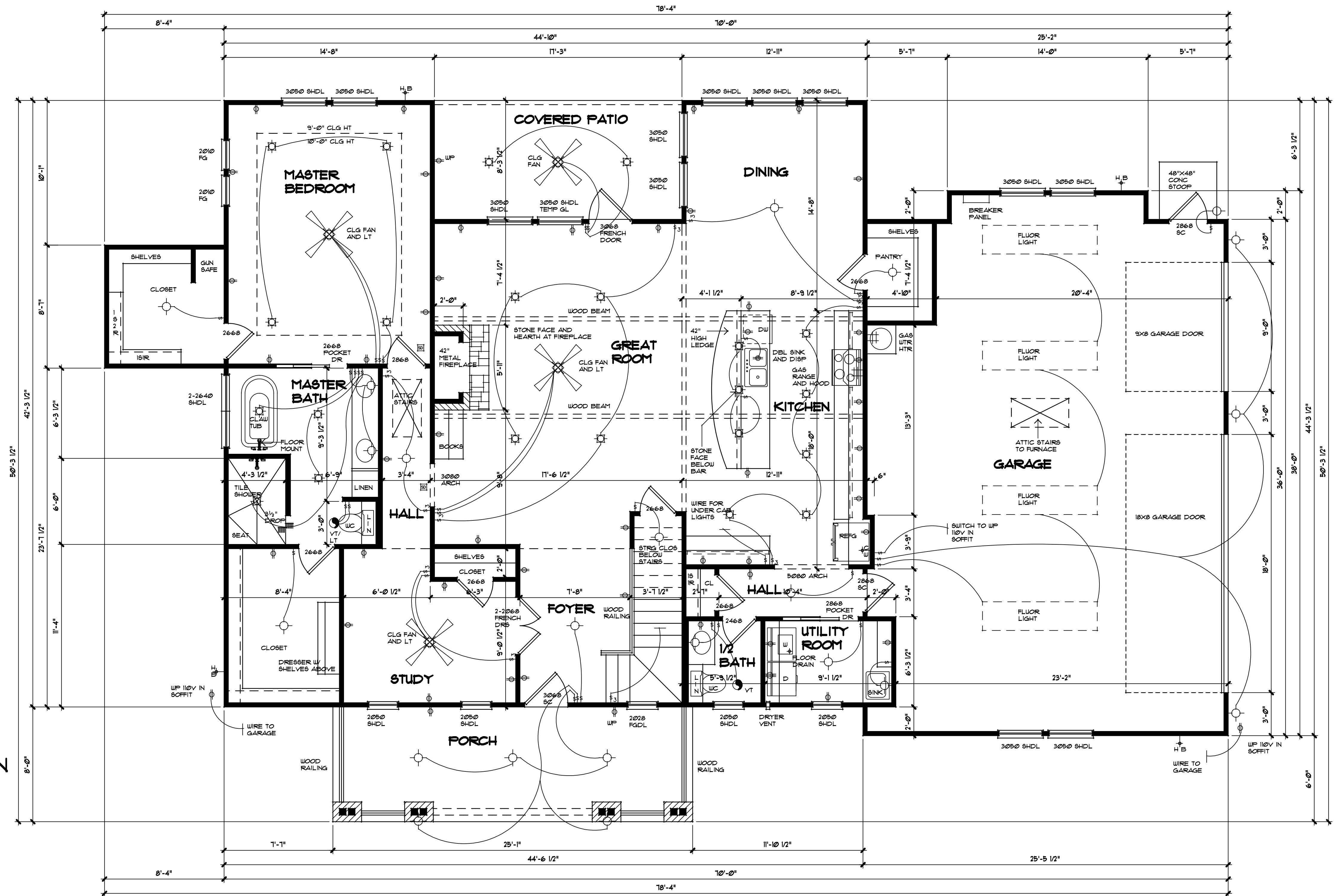
FRONT ELEVATION SCALE 1/4"=1'-0"



SECTION THRU HOUSE SCALE 1/4"=1'-0"



ROOF PLAN SCALE 1"=20'



1ST FLOOR PLAN

SCALE 1/4"=1'-0"

PROVIDE A GFI CIRCUIT AT ALL BATH AND WP OUTLETS

SMOKE DETECTORS OUTSIDE OF BEDROOMS TO BE CARBON MONOXIDE DETECTORS ALSO

PROVIDE INTERCONNECTED SMOKE ALARMS IN EACH SLEEPING ROOM, OUTSIDE EACH SLEEPING ROOM, ON EACH STORY, IN THE HALL OR ADJACENT ROOM WHERE THE CEILING HEIGHT OF A ROOM OPEN TO THE HALL EXCEEDS THE HALL BY 2'. SMOKE ALARMS SHALL BE HARD WIRED WITH BATTERY BACKUP.